

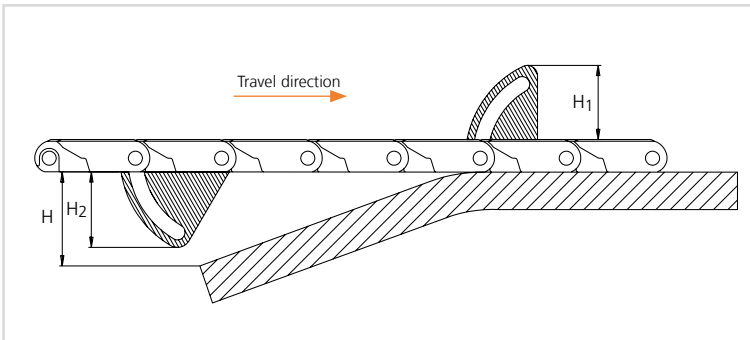


uni AmFlight
type H45
for uni CPB

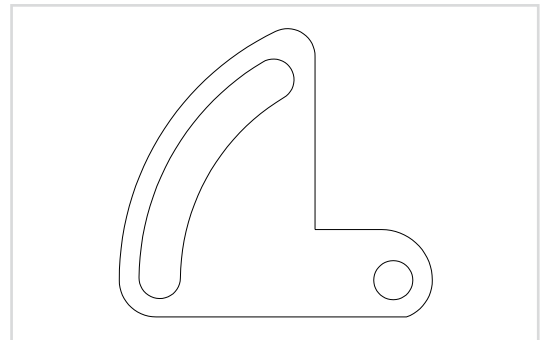


Standard material
and colour:
PE- Polyethylene w

Type H45



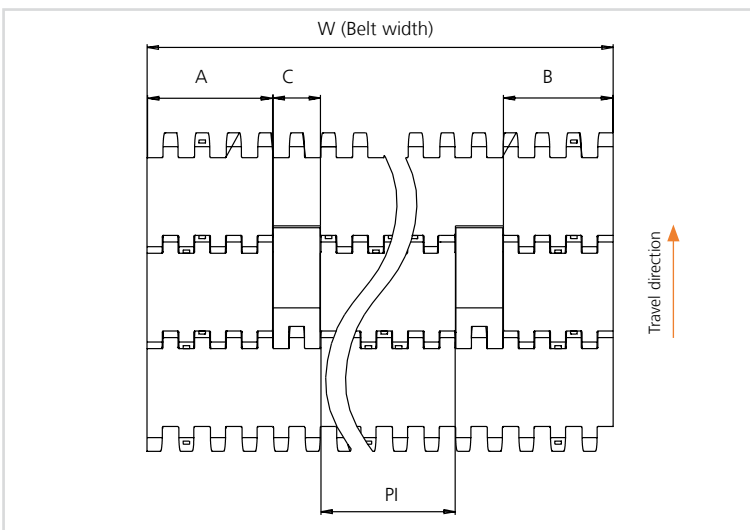
Type H45



Type H45

Dimensions

	mm	in.
H ₁	45.0	1.77
H ₂	44.0	1.73
H	49.0	1.93



Type H45

Dimensions

	mm	in.
A min.	67.0	2.64
B min.	58.6	2.31
C	25.1	0.99
PI max.	W - 175.9	W - 6.92
PI min.	41.9	1.65

Increment: 17.0 mm (0.70 in.)