



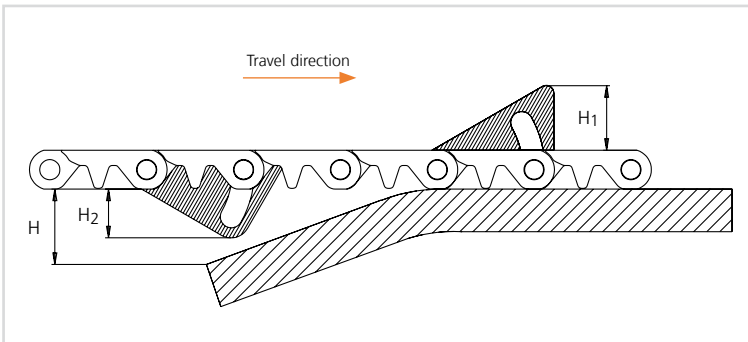
Type H17



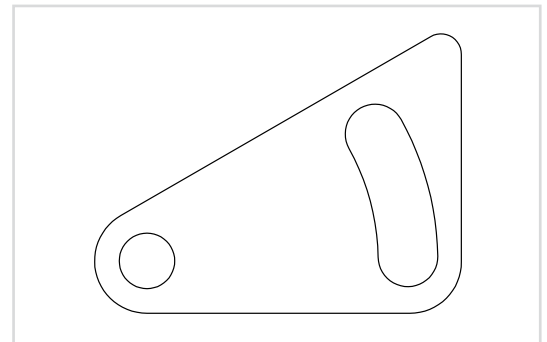
uni AmFlight  
type H17  
for uni S-MPB



Standard material  
and colour:  
PE- Polyethylene w



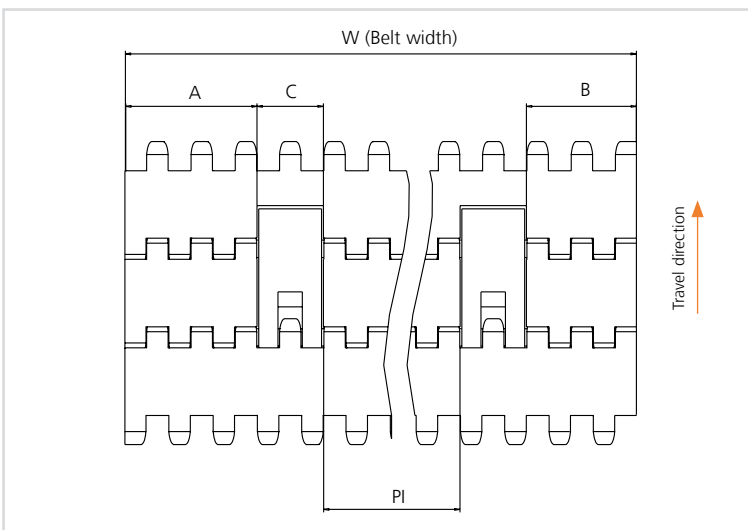
Type H17



Type H17

**Dimensions**

	mm	in.
H <sub>1</sub>	17.0	0.67
H <sub>2</sub>	12.8	0.50
H	17.8	0.70



Type H17

**Dimensions**

	mm	in.
<b>A min.</b>	38.1	1.50
<b>B min.</b>	31.8	1.25
<b>C</b>	19.1	0.75
<b>PI max.</b>	W - 108.0	W - 4.25
<b>PI min.</b>	25.4	1.00

Increment: 12.7 mm (0.50 in.)