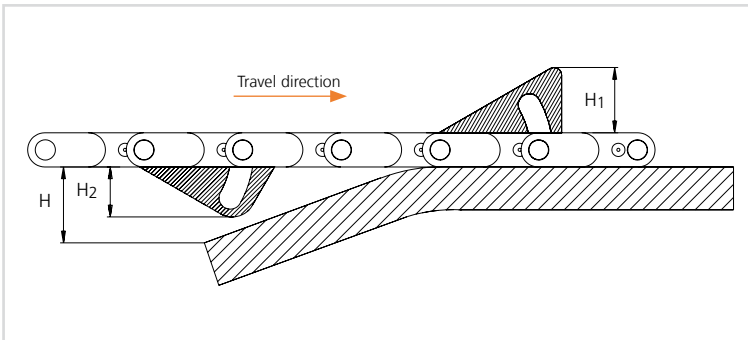


uni AmFlight
type H17
for uni SNB M2

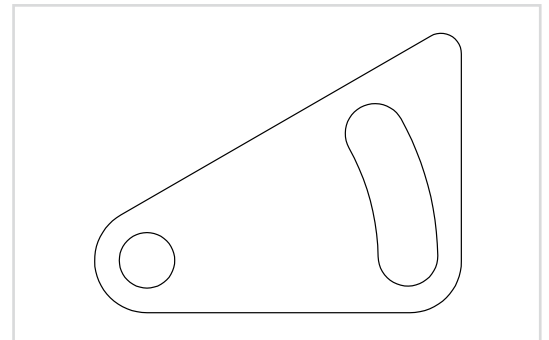


Standard material
and colour:
PE- Polyethylene w

Type H17



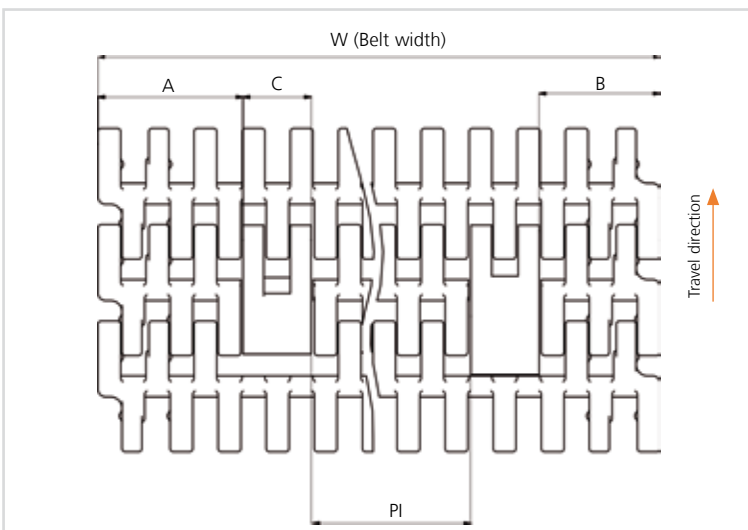
Type H17



Type H17

Dimensions

	mm	in.
H ₁	17.0	0.67
H ₂	12.8	0.50
H	17.9	0.70



Type H17

Dimensions

	mm	in.
A min.	38.1	1.50
B min.	31.8	1.25
C	19.1	0.75
PI max.	W - 108.0	W - 4.25
PI min.	25.4	1.00

Increment: 12.7 mm (0.50 in.)